

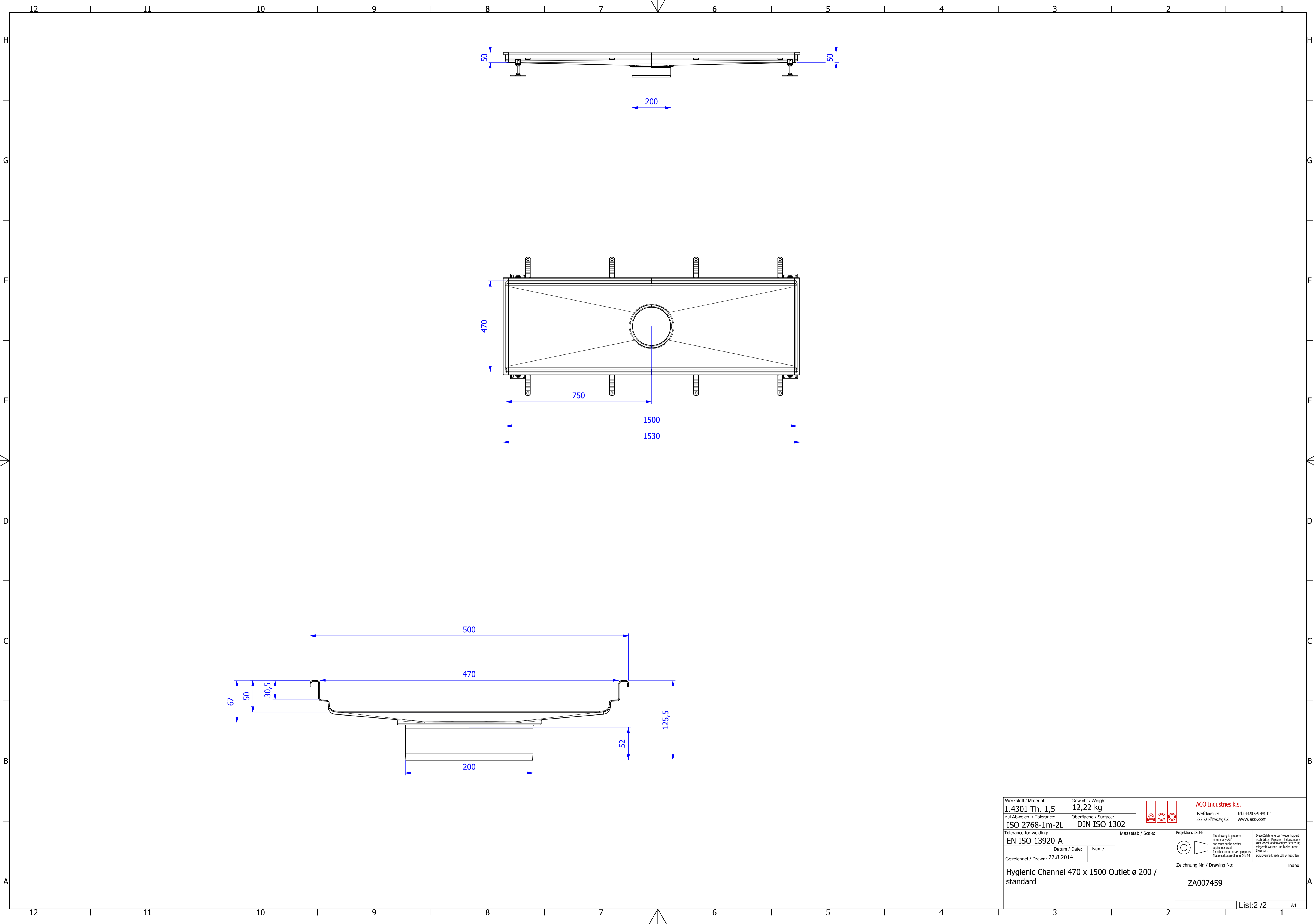



For dimensions, please refer to the next sheet

Channel	
Parameter	(mm)
Width (mm)	500 / 470
Length (mm)	1530/1500
Height at left end H1 (mm)	50
Height at right end H3 (mm)	50
Height at outlet H2 (mm)	67
Outlet diameter (mm)	200

Werkstoff / Material: 1.4301 Th. 1,5	Gewicht / Weight: 12,22 kg	 ACO Industries k.s. Havlíčkova 260 582 22 Pílský, CZ Tel.: +420 569 491 111 www.aco.com
zul. Abweich. / Tolerance: ISO 2768-1m-2L	Oberfläche / Surface: DIN ISO 1302	
Tolerance for welding: EN ISO 13920-A	Datum / Date: 27.8.2014	Projektion: ISO-E 
Gezeichnet / Drawn: 		Zeichnung Nr. / Drawing No: ZA007459
Hygienic Channel 470 x 1500 Outlet ø 200 / standard		Index: List: 1 / 2



Werkstoff / Material: 1.4301 Th. 1,5		Gewicht / Weight: 12,22 kg		 ACO Industries k.s. Havlíčkova 260 582 22 Píbylský, CZ Tel.: +420 569 491 111 www.aco.com
zul. Abweich. / Tolerance: ISO 2768-1m-2L		Oberfläche / Surface: DIN ISO 1302		
Tolerance for welding: EN ISO 13920-A			Masstab / Scale:	Projektion: ISO-E
Datum / Date:		Name:		<small>The drawing is property of company ACO and must not be neither copied nor used for other unauthorised purposes. Trademark according to DIN 34</small>
Gezeichnet / Drawn: 27.8.2014				
Zeichnung Nr. / Drawing No: ZA007459				Index
Hygienic Channel 470 x 1500 Outlet ø 200 / standard				List: 2 / 2 A1